



# COMPANY PROFILE

## About us

Established in Alexandria in Sep. 1990 as an importers and suppliers of engineering products over the years , we developed a strong technical background of applied processes that are related to compressed air and industrial automation.

2010, Saadani group became a one stop source of supplying compressed air solution as it supply all related products from :

Production (Air compressor) - Purification (Filters&Dryers)

Storage (Air Tank) - Distribution (Pipe Line)

Consumption (Pneumatics and others )



## Our Mission

To provide high quality engineering services by employing and retaining the high quality staff, in addition to supply our customers with complete range of high quality products of energy saving concept and low environmental impact.



## Our Vision

The idea is to cover new areas in the Egyptian market and to move outside to North Africa where we can apply our mission in the best way that customer expect.



## Why Saadani Group

The strong technical background developed in several years, the passion and the job of an expert team to supply customized solutions that made Saadani Group to be one of the most qualified partner in industrial automation.

We create customers awareness to our products, making sure of using them in the right way to obtain full life time with no down times.

We service our products in the best way that customer wish through immediate response and ready stock items.

We support and regularly furnish our customers with updated catalogues and new products.



## Our Services

We target wide range of local and multinational customers whom are recognized as market leaders in multiple business areas .

We provide our customers with the following Services:-

- 1- Hitachi compressor service
- 2- SMC Air Dryer service
- 3- Compressor room layout design and installation
- 4- Design the layout of compressed air pipe lines
- 5- Design of Pneumatic circuits
- 6- Compressed air flow and quality measurement
- 7- Pneumatic training courses
- 8- Energy saving consultation



## Our Partners

**HITACHI**



**SMC**



**TESEO**



**dalmec**



**GRACO**

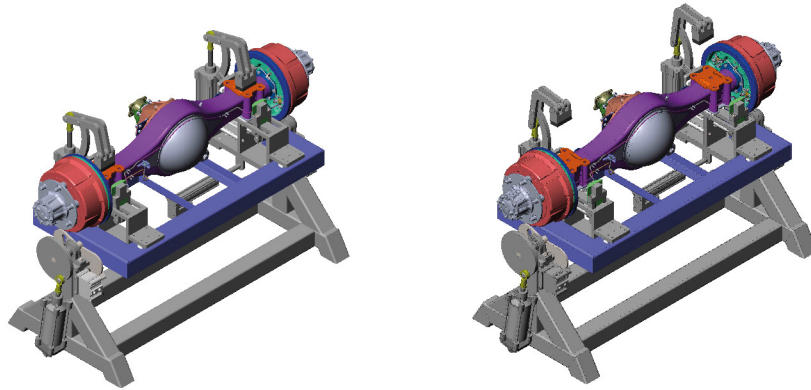


## Scope of Supply

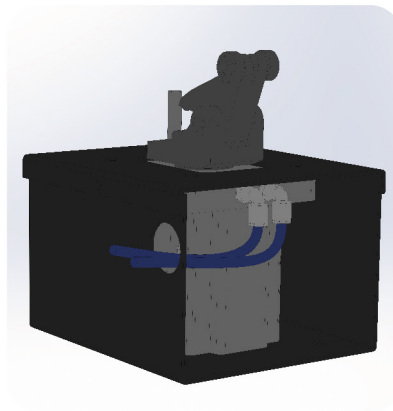
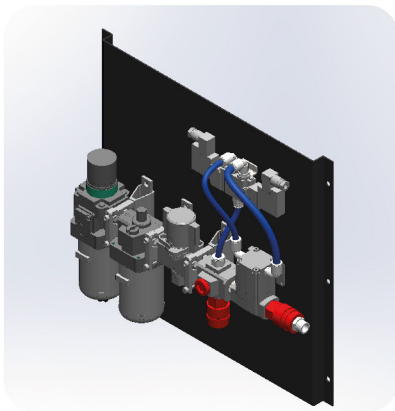
Brand	Products	Our activates
<b>HITACHI</b>	<b>Air Compressors</b> <ul style="list-style-type: none"> <li>● Reciprocating</li> <li>● Reciprocating Oil free</li> <li>● Screw oil flooded</li> <li>● Screw / Scroll oil free</li> </ul>	<ul style="list-style-type: none"> <li>● Supply</li> <li>● Sizing &amp; Selection</li> <li>● Installation</li> <li>● Servicing</li> </ul>
	<b>Pneumatics</b> <ul style="list-style-type: none"> <li>● Refrigerated Air Dyer</li> <li>● Main line Filtration</li> <li>● Air Cylinders , Valves</li> <li>● FRL , Auto drain</li> <li>● Fitting &amp; Tubing</li> <li>● Vacuum Equipment</li> <li>● Instrumentation</li> <li>● Electrical Actuators</li> <li>● Water Chillers</li> </ul>	<ul style="list-style-type: none"> <li>● Supply</li> <li>● Sizing &amp; Selection</li> <li>● Installation</li> <li>● Servicing</li> <li>● Design</li> <li>● Training</li> <li>● Air audit</li> <li>● Energy saving</li> </ul>
	<b>Aluminum Pipe Work</b> <ul style="list-style-type: none"> <li>● Aluminum profile piping for compressed air and Vacuum</li> <li>● Air Track System</li> </ul>	<ul style="list-style-type: none"> <li>● Supply</li> <li>● Sizing &amp; Selection</li> <li>● Installation</li> <li>● layout design</li> <li>● Servicing</li> </ul>
	<b>Industrial Manipulator</b> <ul style="list-style-type: none"> <li>● Glass / Reels / Boxes</li> <li>● Seats / Tires / Bags / Drums</li> <li>● Dash board / Doors</li> <li>● sheet metal / wood panels</li> </ul>	<ul style="list-style-type: none"> <li>● Supply</li> <li>● Sizing &amp; Selection</li> <li>● Installation</li> <li>● Servicing</li> </ul>
	<b>Air Operated Pumps</b> <ul style="list-style-type: none"> <li>● Diaphragm Pumps</li> <li>● Piston Pumps</li> <li>● Washing systems</li> <li>● Electrical Pumps</li> </ul>	<ul style="list-style-type: none"> <li>● Supply</li> <li>● Sizing &amp; Selection</li> <li>● Installation</li> <li>● Servicing</li> </ul>



## Scope of Design



We provide our customers with design and jig manufacturing with relative pneumatic and electro pneumatic circuits according to the required functions .



We design pneumatic circuits to adapt to industry 4.0 requirements .

## Air Audit & Energy saving solutions

- Checking the current compressor installations (Nr. and power & Capacity )
- Checking the piping layout (sizing & design )
- Checking the consumption of each machine or department (Measurements)
- Proposing a Solution to save energy
- Applying the Solution then Measuring
- Saving = consumption before - after



Cut your electricity bills  
Help reduce global warming  
Reduce CO2 emissions  
Help meet your ISO 14001 NEEDS



## Where we are

### **Cairo**

94 Ismail El Fangary Str., Naser City - Egypt

Tel : (+202) 20 80 83 20 - 20808486

Fax: (+202) 20 80 82 98

Info@saadanigroup.com.eg

### **Alexandria**

15 Sebaai from eskander ibrahim - Alexandria - Egypt

Tel : (+203) 54 85 034

Fax: (+203) 55 30 480

alex@saadanigroup.com.eg

### **10th of Ramadan**

Show Room 102 - Masria Center 1 - Egypt

Tel / Fax: (+20554) 370 800

10thramadan@saadanigroup.com.eg

### **Services**

El Ordonia manufacturing complex

4th industrial zone - 6th October - Egypt

(+2) 01000094942

Service@saadanigroup.com.eg



[www.saadanigroup.com.eg](http://www.saadanigroup.com.eg)





 [www.saadanigroup.com.eg](http://www.saadanigroup.com.eg)